



# TBI...

## Setpoint device

For panel mounting. For use with the Aqualine-, Pulser-, TM- and TTC-series (not TBI-PT1000, which is used to connect with Corrigo).

## Models

Range	Article number
-20...+10°C	TBI-10
-15...+15°C	TBI-15
0...30°C	TBI-30
20...50°C	TBI-50
40...70°C	TBI-70
60...90°C	TBI-90
0...100 %	TBI-100
5...30°C	TBI-PT1000

## Technical data

Protection class

IP20

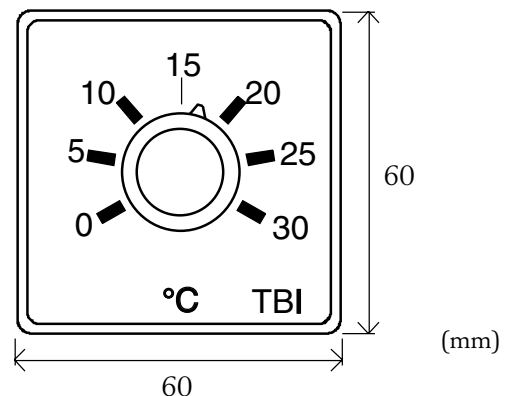
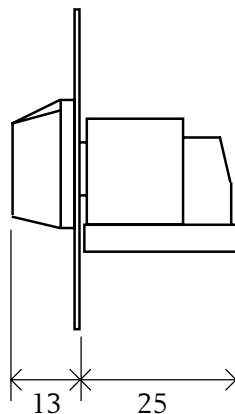
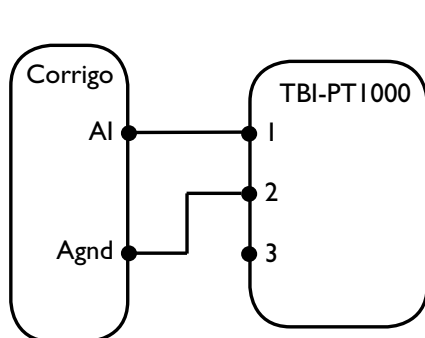


**Low Voltage Directive (LVD) standards:** This product conforms to the requirements of the European Low Voltage Directive (LVD) 2006/95/EC through product standards EN 60669-1 and EN 60669-2-1.

**EMC emissions & immunity standards:** This product conforms to the requirements of the EMC Directive 2004/108/EC through product standards EN 60669-1 and EN 60669-2-1.

**RoHS:** This product conforms with the Directive 2011/65/EU of the European Parliament and of the Council.

## Wiring and dimensions



### Head Office Sweden

Phone: +46 31 720 02 00

Web: [www.regincontrols.com](http://www.regincontrols.com)

Mail: [info@regin.se](mailto:info@regin.se)

THE CHALLENGER IN BUILDING AUTOMATION